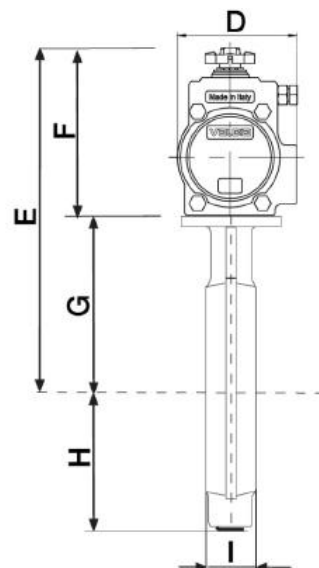
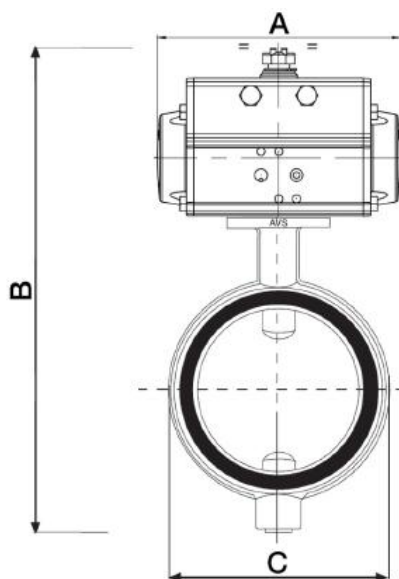


SPJELDVENTIL WAFER SL MED PNEUMATISK AKTUATOR



MED DOBELTVIRKENDE DA-AKTUATOR

| DN | Betegnelse | A | B | C | D | E | F | G | H | I | Kg |
|-----|------------------|-----|------|-----|-----|-----|-----|-----|-----|-----|-------|
| 50 | SL0050VHER-DA63 | 164 | 331 | 105 | 81 | 234 | 113 | 121 | 97 | 43 | 4,7 |
| 65 | SL0065VHER-DA63 | 164 | 349 | 125 | 81 | 243 | 113 | 130 | 106 | 46 | 5,7 |
| 80 | SL0080VHER-DA63 | 164 | 368 | 140 | 81 | 253 | 113 | 140 | 115 | 46 | 5,7 |
| 100 | SL0100VHER-DA85 | 241 | 420 | 160 | 106 | 295 | 145 | 150 | 125 | 52 | 8,9 |
| 125 | SL0125VHER-DA85 | 241 | 438 | 190 | 106 | 308 | 145 | 163 | 130 | 56 | 9,9 |
| 150 | SL0150VHER-DA100 | 275 | 484 | 216 | 123 | 334 | 158 | 176 | 150 | 56 | 12,5 |
| 200 | SL0200VHER-DA115 | 333 | 591 | 271 | 137 | 408 | 192 | 216 | 183 | 60 | 22,9 |
| 250 | SL0250VHER-DA125 | 372 | 655 | 326 | 148 | 445 | 204 | 241 | 210 | 68 | 27,8 |
| 300 | SL0300VHER-DA140 | 435 | 752 | 376 | 164 | 502 | 227 | 275 | 250 | 78 | 44,3 |
| 350 | SL0350VHER-DA160 | 500 | 841 | 436 | 186 | 561 | 251 | 310 | 280 | 78 | 63,8 |
| 400 | SL0400VHER-DA200 | 579 | 948 | 487 | 217 | 643 | 308 | 335 | 305 | 102 | 102,0 |
| 450 | SL0450VHER-DA200 | 579 | 1034 | 535 | 217 | 698 | 308 | 390 | 336 | 114 | 123,0 |
| 500 | SL0500VHER-DA270 | 672 | 1219 | 591 | 290 | 844 | 429 | 415 | 375 | 127 | 191,7 |

MED ENKELTVIRKENDE SR-AKTUATOR

| DN | Betegnelse | A | B | C | D | E | F | G | H | I | Kg |
|-----|------------------|-----|-----|-----|-----|-----|-----|-----|-----|----|------|
| 50 | SL0050VHER-SR63 | 164 | 331 | 105 | 81 | 234 | 113 | 121 | 97 | 43 | 5,0 |
| 65 | SL0065VHER-SR75 | 210 | 367 | 125 | 95 | 261 | 131 | 130 | 106 | 46 | 7,4 |
| 80 | SL0080VHER-SR85 | 241 | 400 | 140 | 106 | 285 | 145 | 140 | 115 | 46 | 8,8 |
| 100 | SL0100VHER-SR100 | 275 | 433 | 160 | 123 | 308 | 158 | 150 | 125 | 52 | 12,0 |
| 125 | SL0125VHER-SR115 | 333 | 485 | 190 | 137 | 355 | 192 | 163 | 130 | 56 | 17,5 |
| 150 | SL0150VHER-SR125 | 372 | 530 | 216 | 148 | 380 | 204 | 176 | 150 | 56 | 21,1 |
| 200 | SL0200VHER-SR125 | 372 | 603 | 271 | 148 | 420 | 204 | 216 | 183 | 60 | 28,1 |
| 250 | SL0250VHER-SR160 | 500 | 702 | 326 | 186 | 492 | 251 | 241 | 210 | 68 | 46,5 |
| 300 | SL0300VHER-SR160 | 500 | 776 | 376 | 186 | 526 | 251 | 275 | 250 | 78 | 57,5 |
| 350 | SL0350VHER-SR200 | 579 | 898 | 436 | 217 | 618 | 308 | 310 | 280 | 78 | 97,0 |

Telefon nr. 66 99 74 00

E-post: postmaster@avs.no